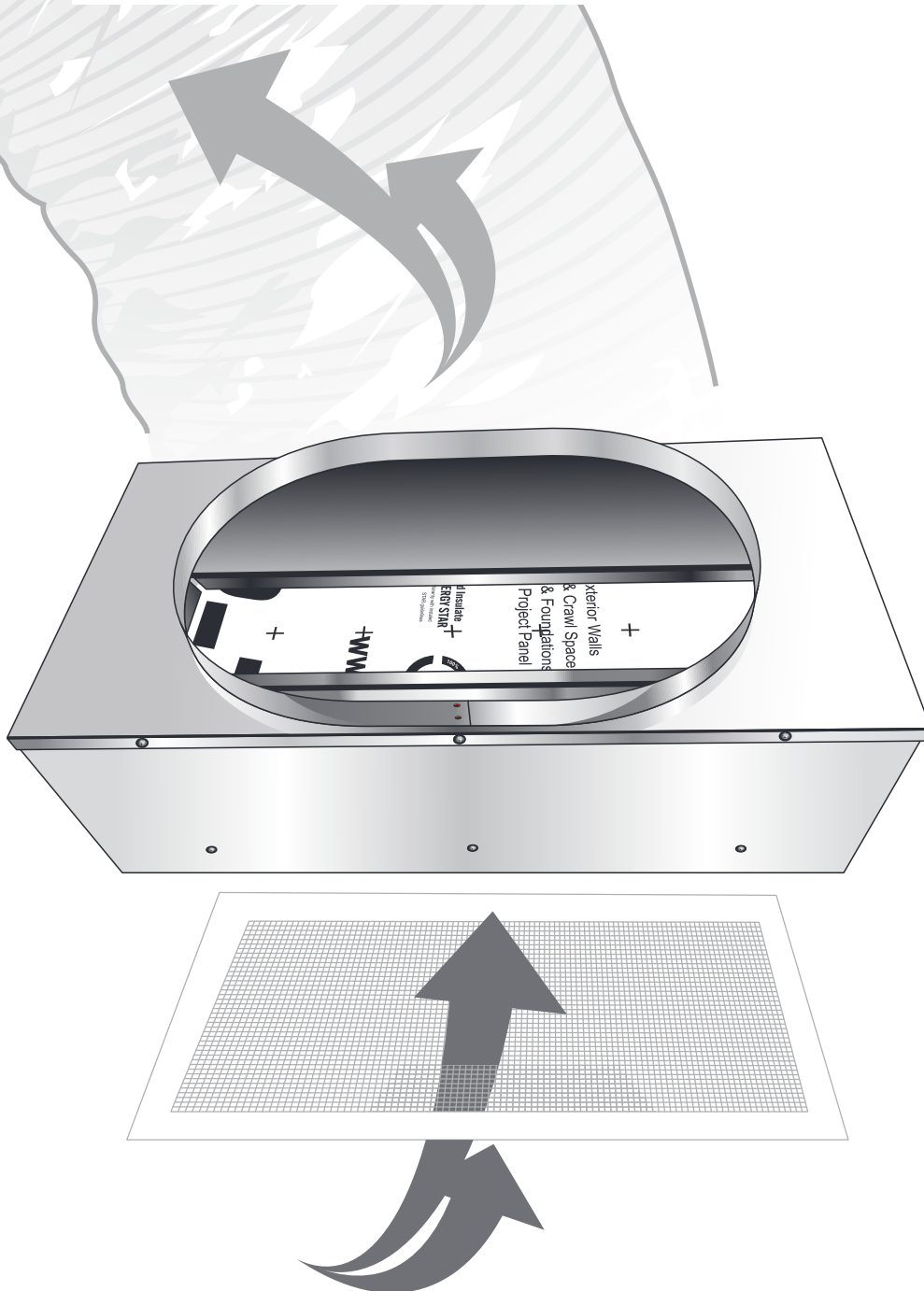


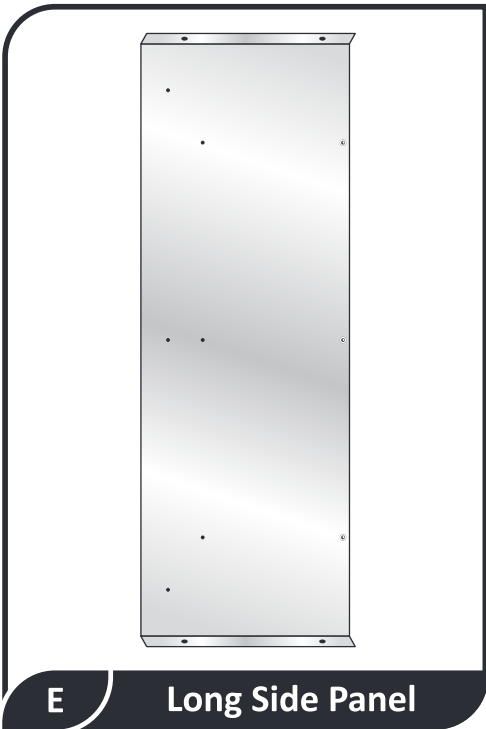
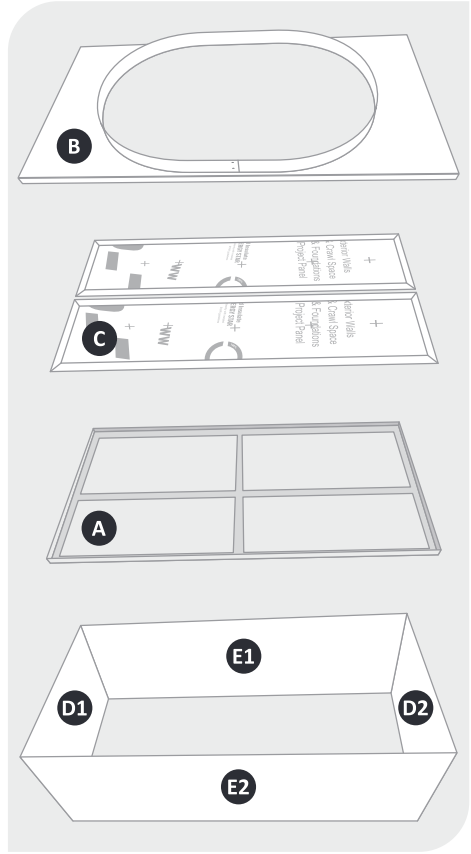
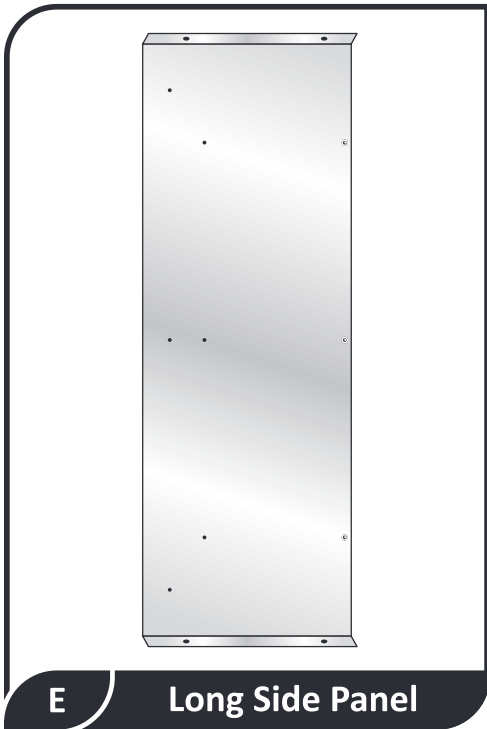
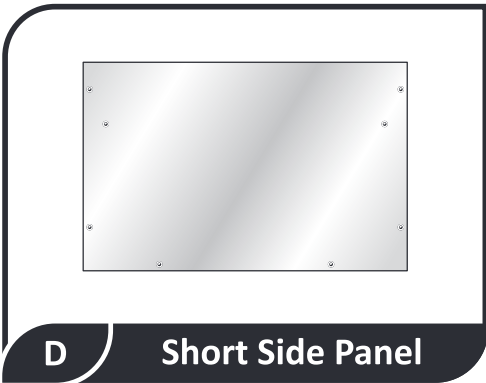
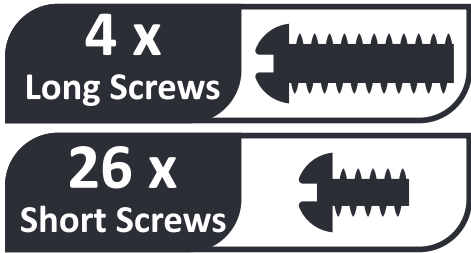
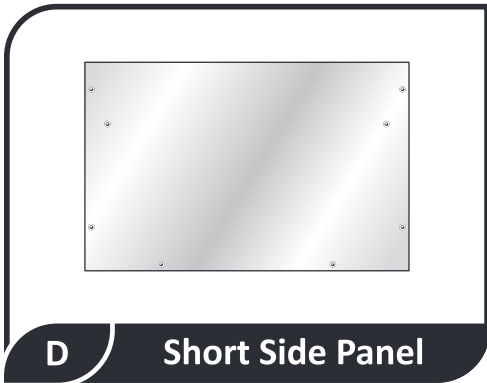
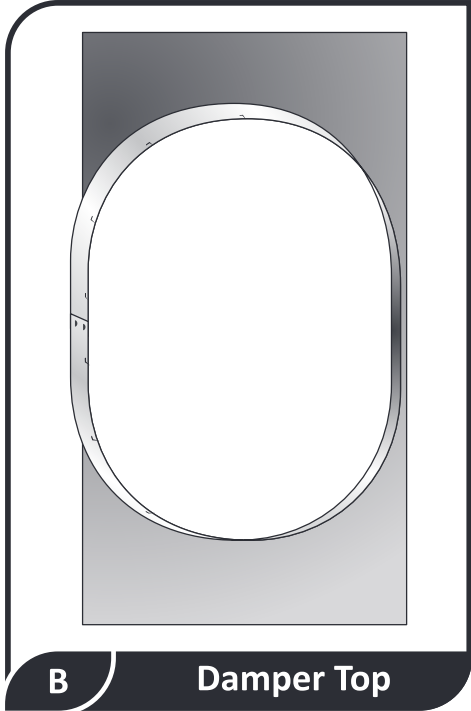
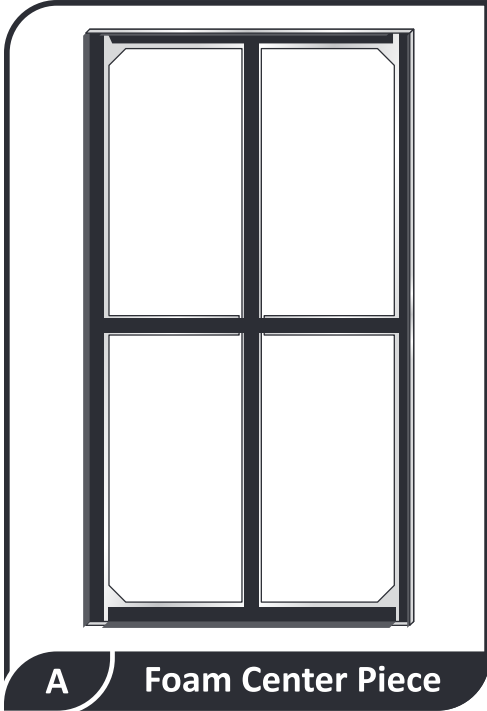


DAMPER BOX

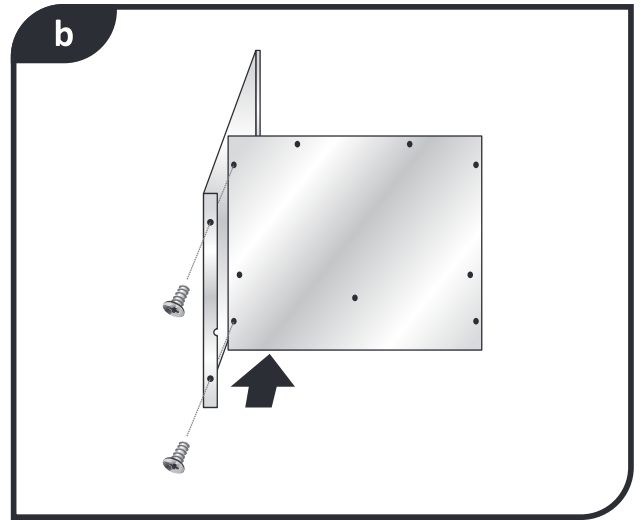
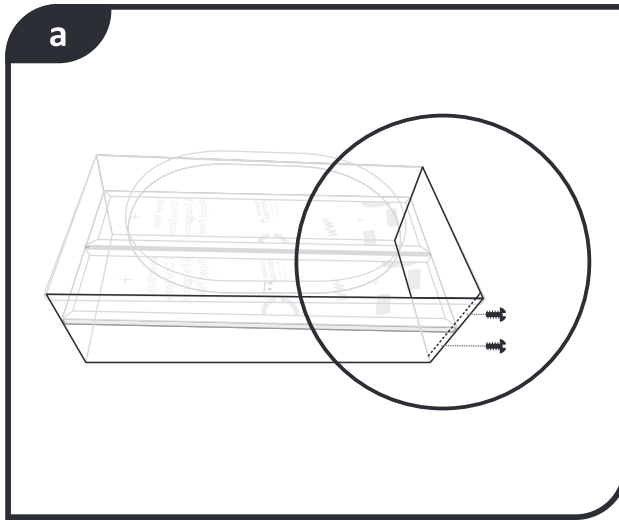
Assembly Instruction



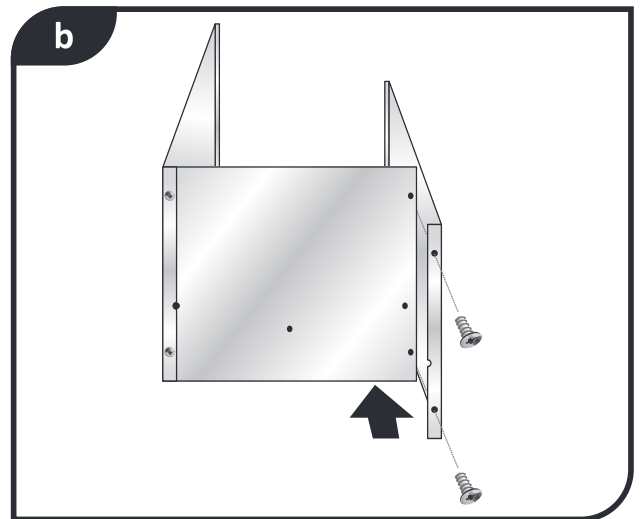
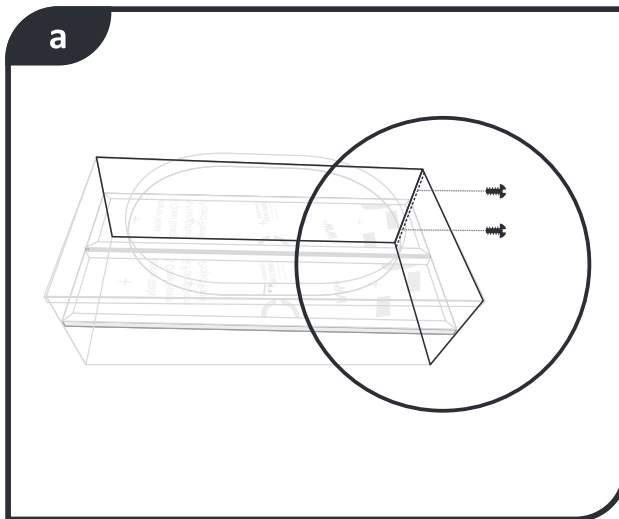
For questions, please call (877) 267-3205



- 1** Using two of the short screws, assemble one of the "long side panels" E, to one of the "short side panels" D as show here.



- 2** Install the second "long side panels" E to the « short side panels" D from step1 using two of the short screws as shown here.

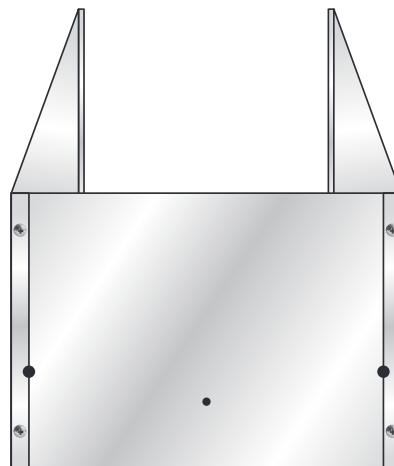


Step Result



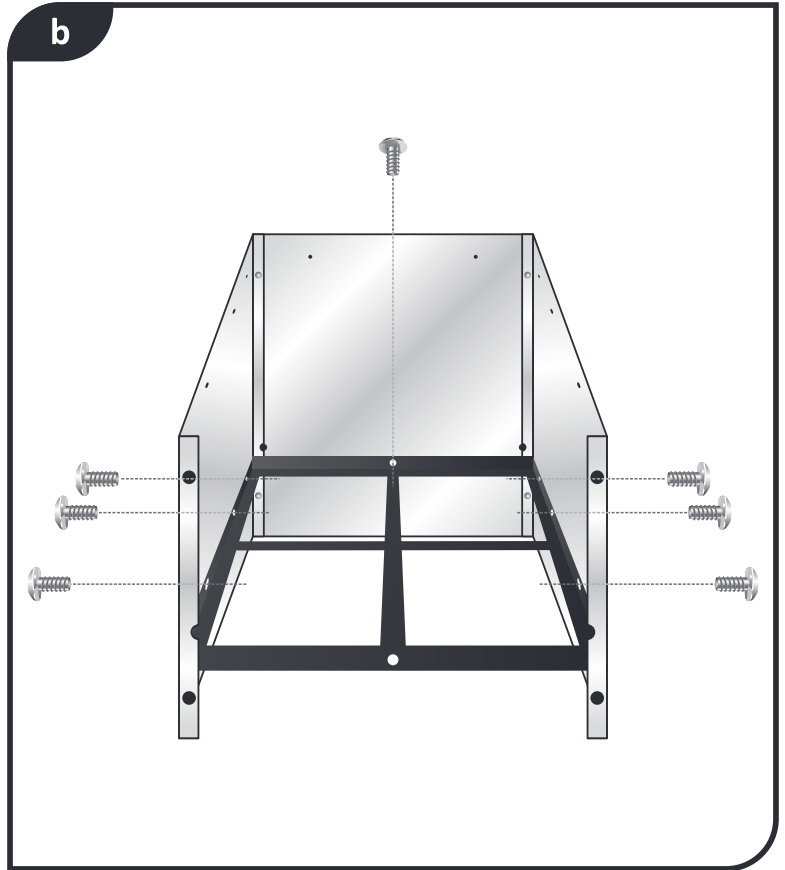
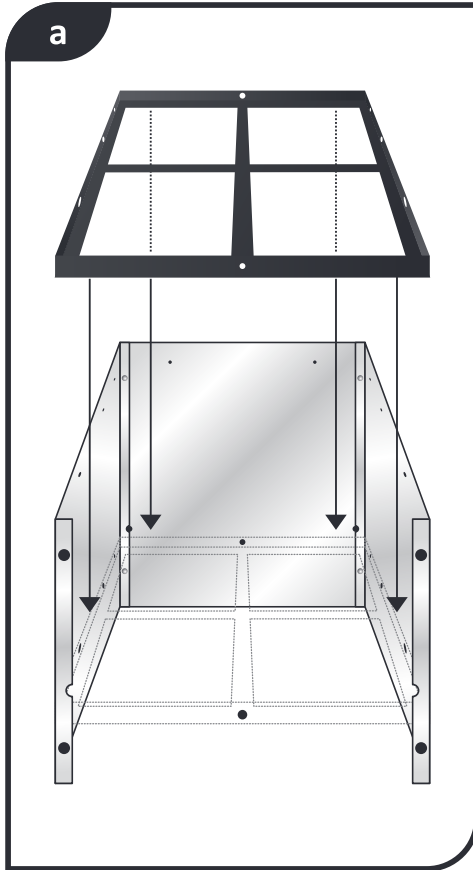
Short
Screws

4



3 Install the "center piece" **A** with foam facing up as shown here and connect with 7 of the short screws.

Note: Three short screws on each of the "long side panels" **E** and one on the "long side panels" **D**.

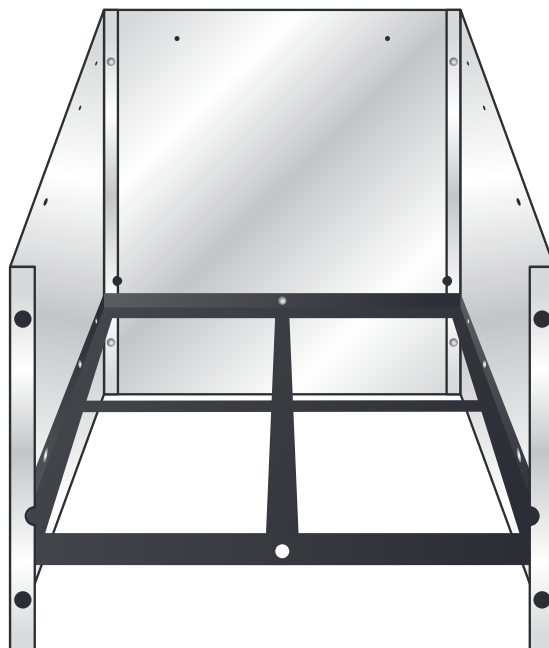


Step Result



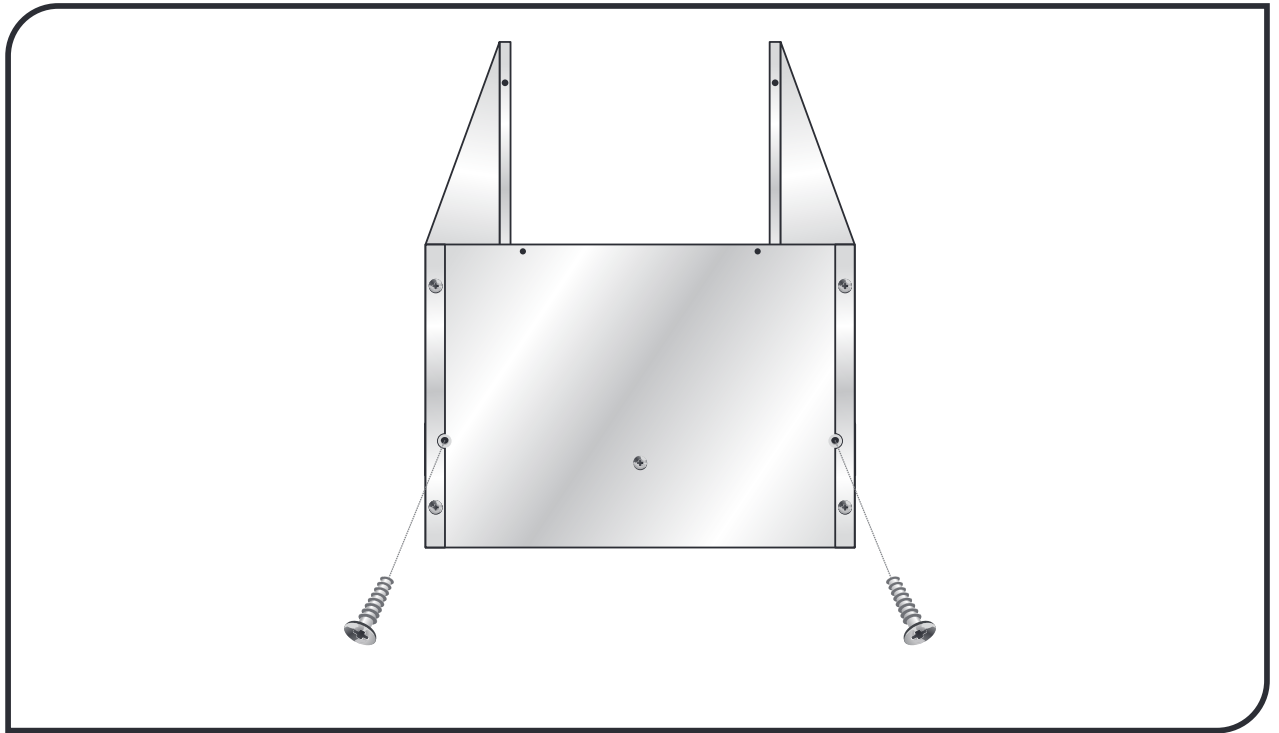
Short
Screws

7



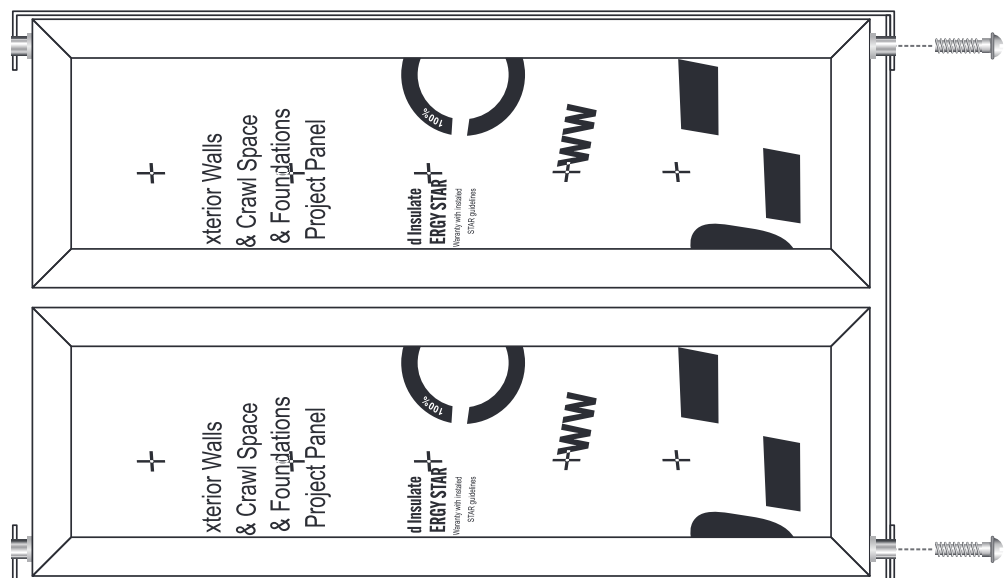
- 4** Install two of the long screws in each of the holes on the "short side panels" **D** as shown here.

Note: These two long screws will be the hinge for the "damper flaps" **C**.



- 5** Install the damper doors **C** so the foil side is facing down and insert the damper door hing-hole in to the long screws from step 4.

UPPER VIEW

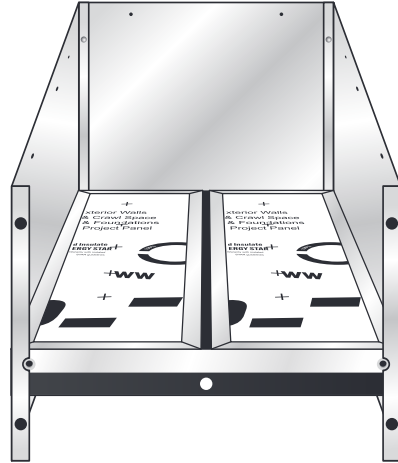


Step Result



Long
Screws

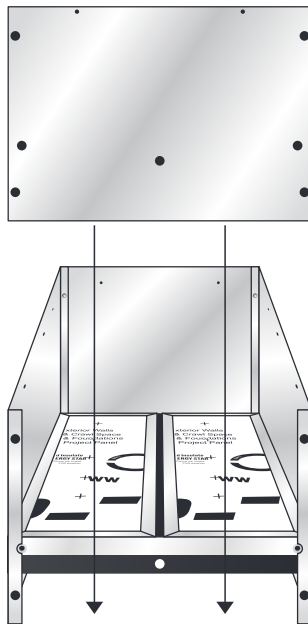
2



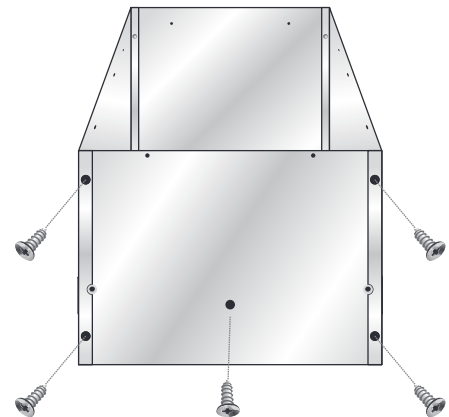
6

Install the other "short side panel" **D** using five of the short screws as shown here.

a



b

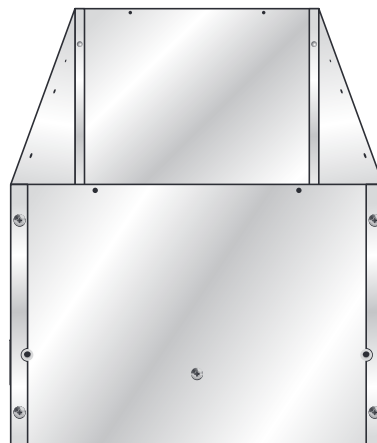


Step Result

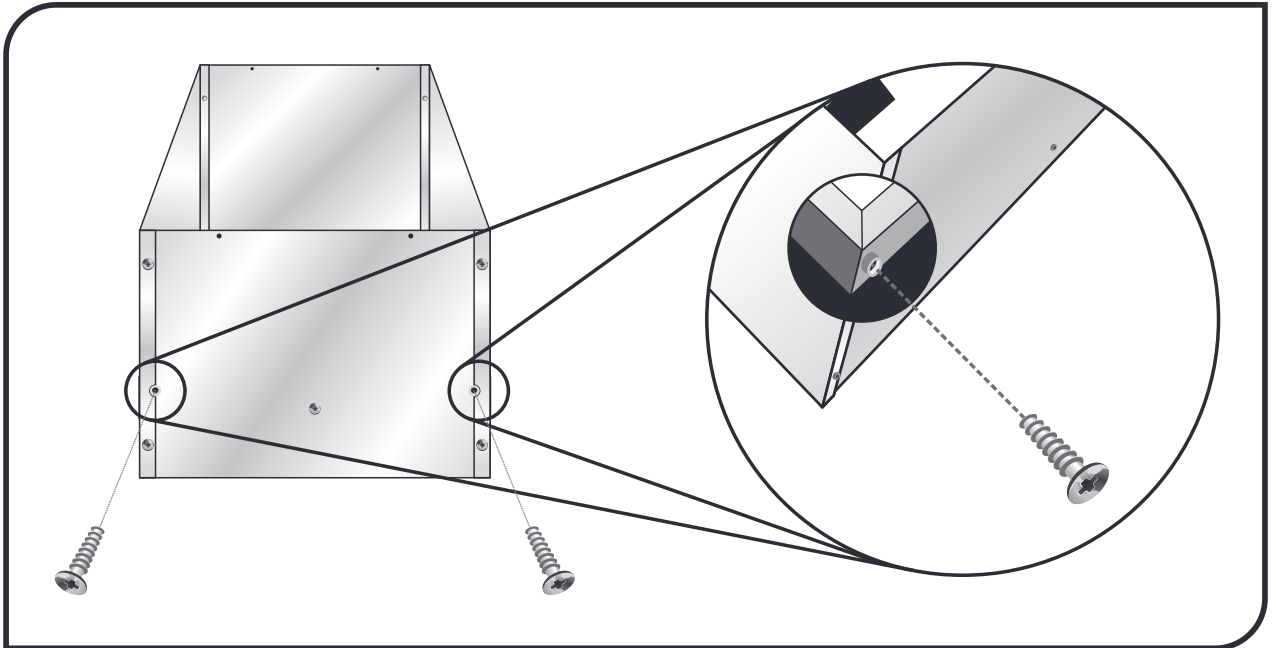


Short
Screws

5



- 7** Install the remaining two larger screws in the "short side panel" **D** and screw them into the hinge-holes on each of the damper flaps **B**.



UPPER VIEW

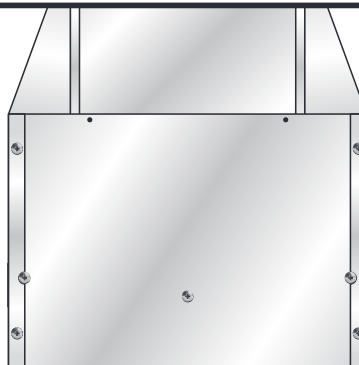


Step Result



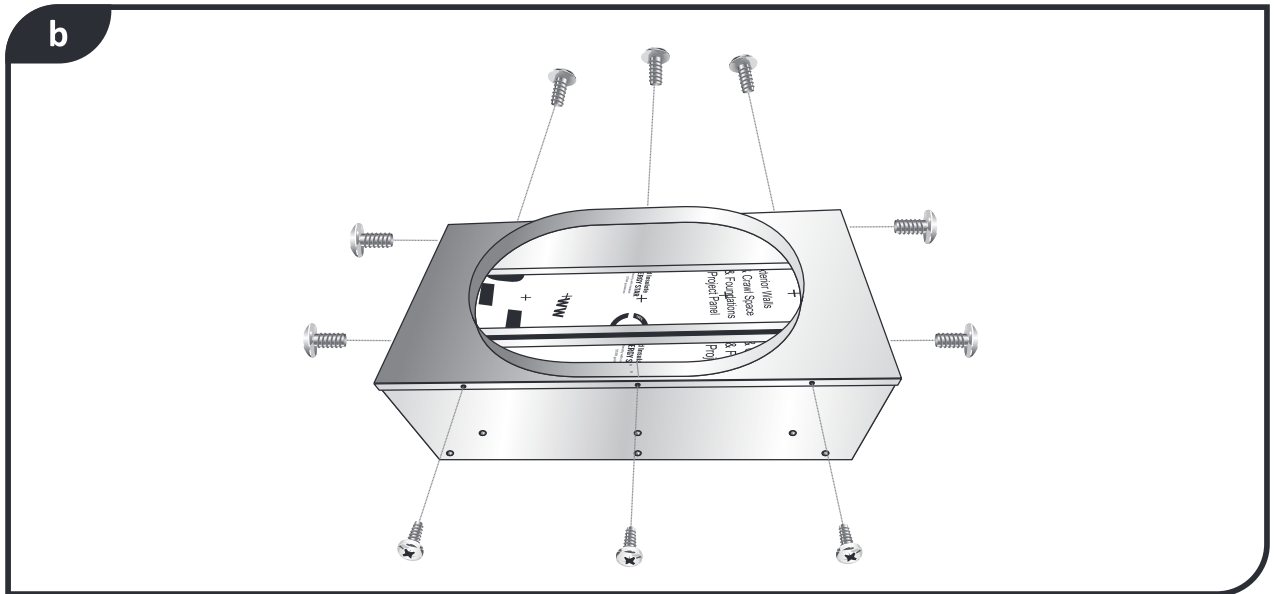
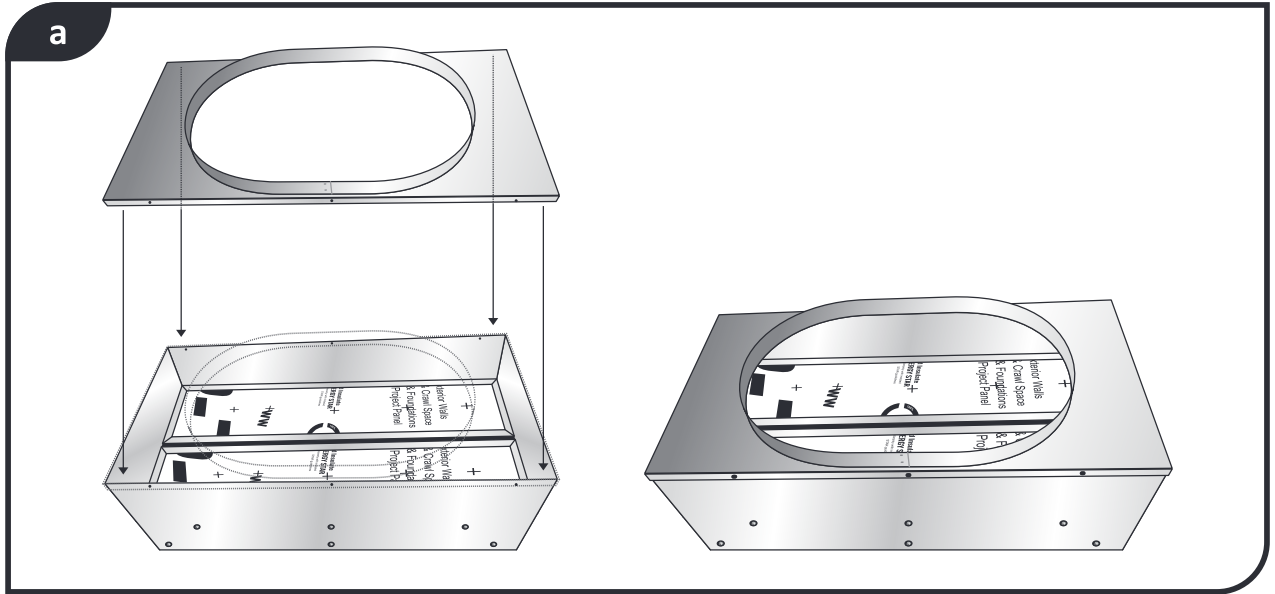
Long
Screws

2



8

Install the "damper top" **B** and screw 10 of the small screws around all four sides.



Final Result



Short
Screws

10

