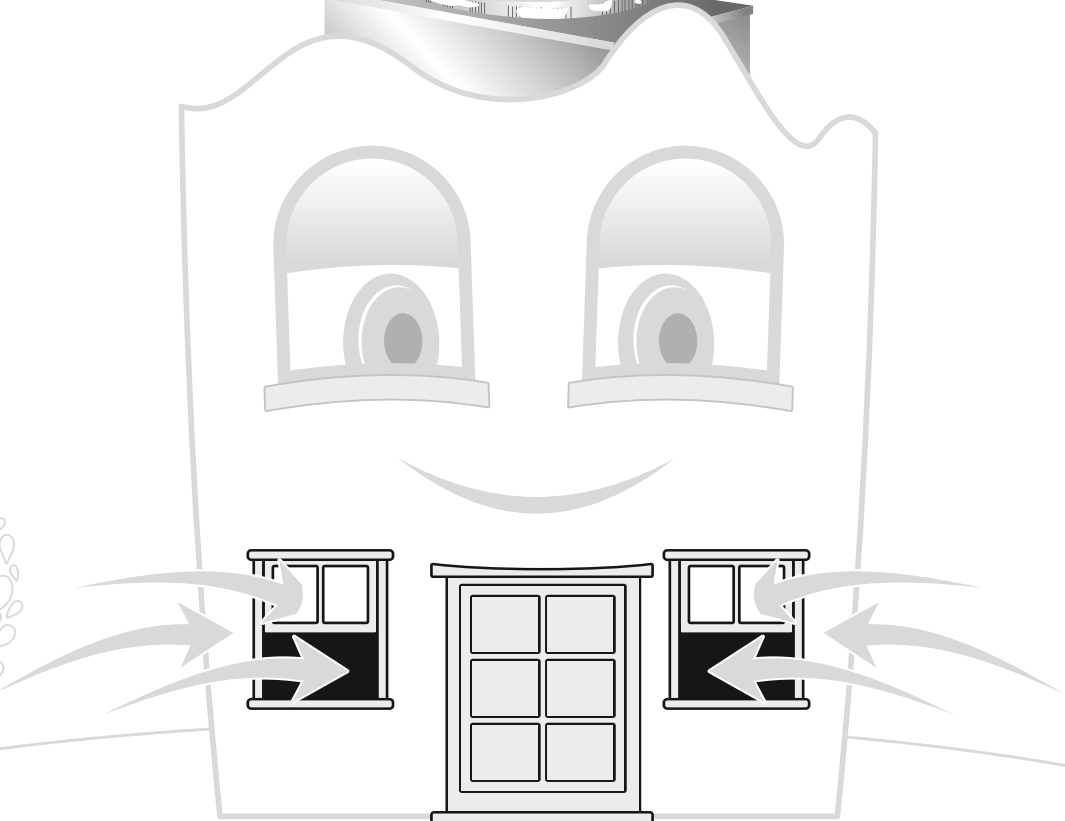


***QA-Deluxe Whole House Fan
Assembly Instructions***



For questions, please call (888) 398-5267



READ AND SAVE THESE INSTRUCTIONS



SAFETY INFORMATION

- Read the following safety information before installing this **Whole House Fan**.
- Failure to follow these instructions could result in personal injury, death or property damage.



WARNING - TO REDUCE THE RISK OF FIRE, ELECTRIC SHOCK, OR INJURY TO PERSONS, OBSERVE THE FOLLOWING

- Use this unit only in the manner intended by the manufacturer. If you have questions, contact the manufacturer.
- Before installing, servicing, or cleaning the unit, main electrical disconnect switch must be in the OFF position and install a lockout tag.



CAUTION - FOR GENERAL VENTILATING USE ONLY.

- Not designed to exhaust hazardous or explosive materials and vapors.



WARNING - TO REDUCE THE RISK OF FIRE, ELECTRIC SHOCK, OR INJURY TO PERSONS, OBSERVE THE FOLLOWING

- Qualified person(s) in accordance with all applicable codes and standards, including fire-rated construction, must do installation work and electrical wiring.



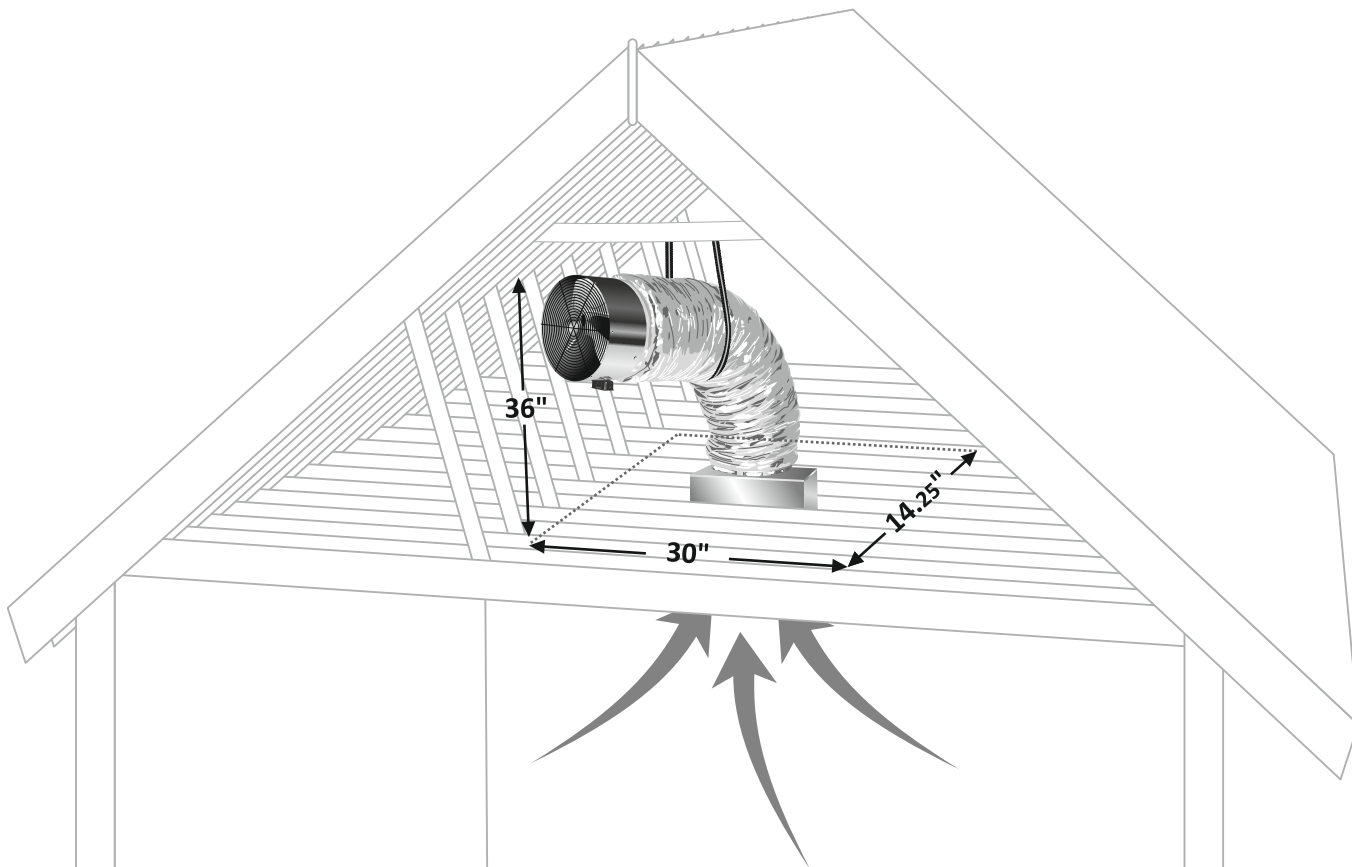


WHERE TO LOCATE

Whole House Fans are designed to pull in fresh, cool air from the outside through open windows in your home. Hot air that is in the home is pulled up through the intake grill and into the attic, and then exhausted through vents in the roof, under eaves, soffits or gables.

step 1 SELECT THE INSTALLATION SITE

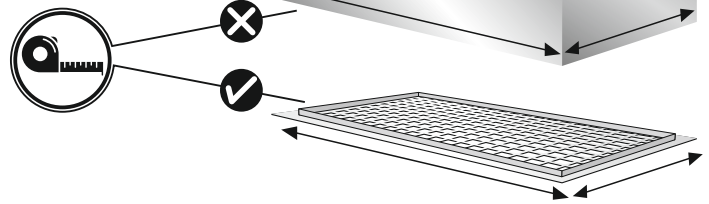
1. The unit is designed to be installed on the floor of the attic between the joist that are a minimum of 16" on center. Most modern homes are built with either 16" or 24" on-center (OC) joists.
2. Select the location for your new Whole House Fan. Usually, locating the fan in a central hallway or in the open area at the top of the stairs produces the most uniform airflow.
3. Once you have selected the installation site, check the attic immediately above the site to be sure that there are no ducts, piping or wiring obstructing the installation area.
4. Selected location should have unobstructed space above the floor joist of at least 14.25" W x 30" L x 36" H.





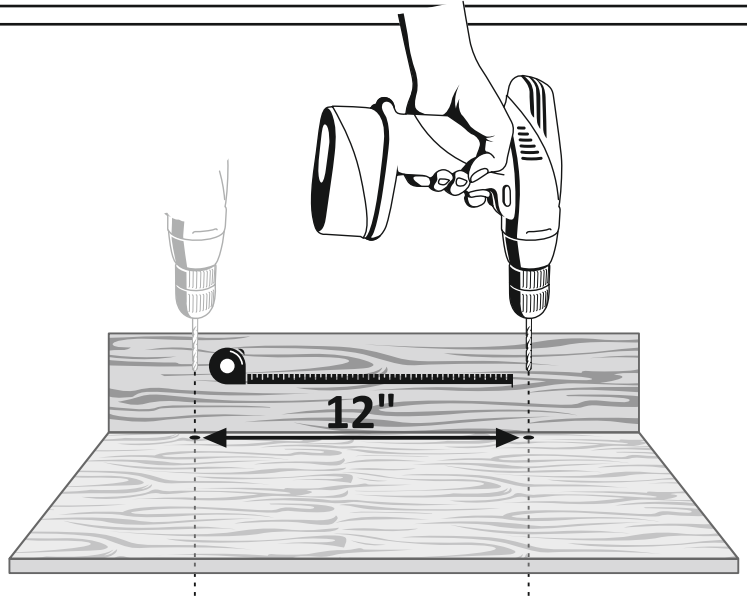
WARNING

CUT OUT DRYWALL TO THE DIMENSIONS OF THE GRILLE AND NOT TO THE DIMENSIONS OF THE METAL DAMPER BOX.

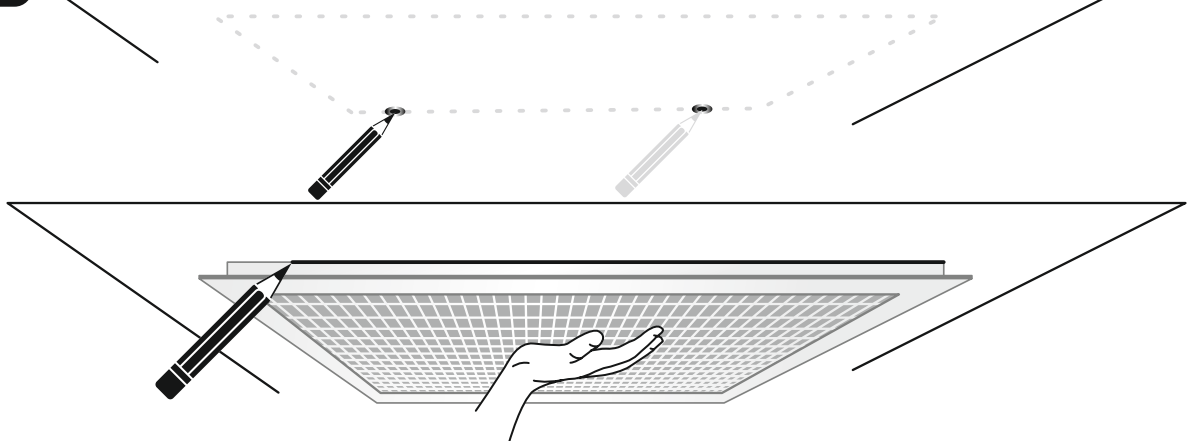


step 2

From inside the attic at your predetermined location drill two holes at the edge of the joist approximately 12 inches apart.



step 3



From inside the home use the two newly drilled holes as a guide to align the inner edge of the grille and outline with a pencil.

step 4



Using a drywall saw or similar tool, cut out the drywall. (Note: Be sure to secure the drywall with one hand while cutting to prevent the drywall from falling or tearing away.)

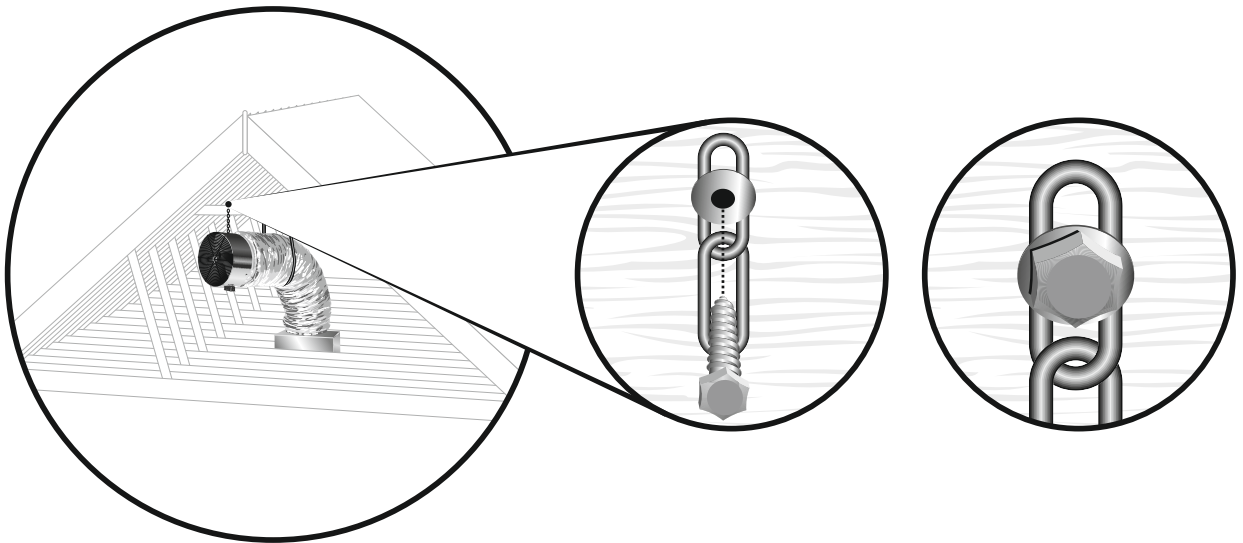
Step Result



step 5 MOUNTING CHAIN

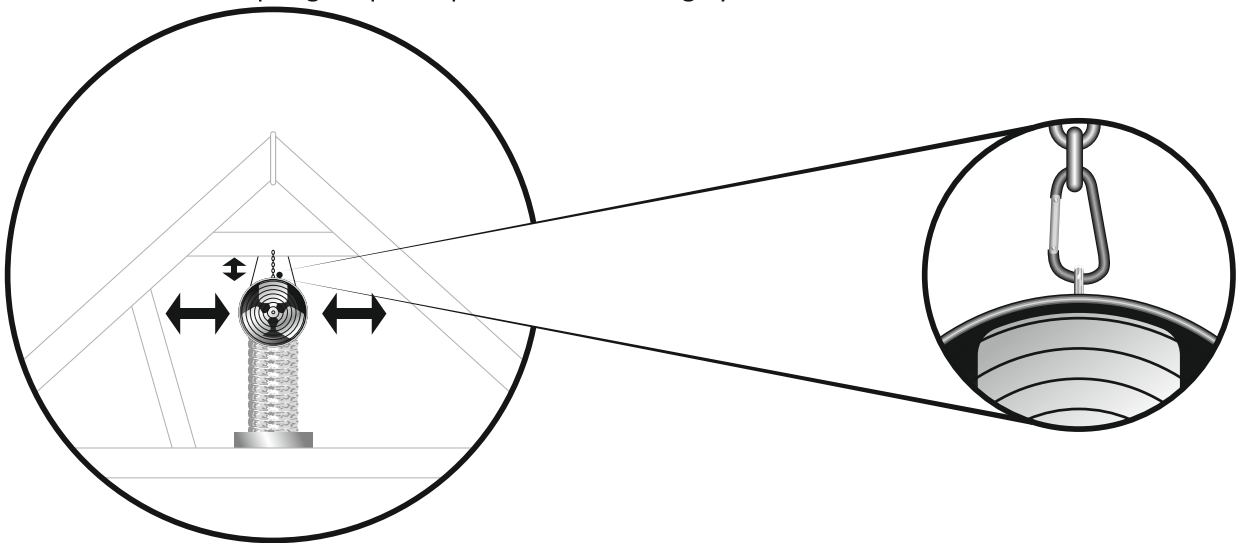
MOUNT CHAIN TO ATTIC FRAMING

Secure the chain with the spring snap clamp to the attic framing using the supplied 1/4" lag screw and flat washer.



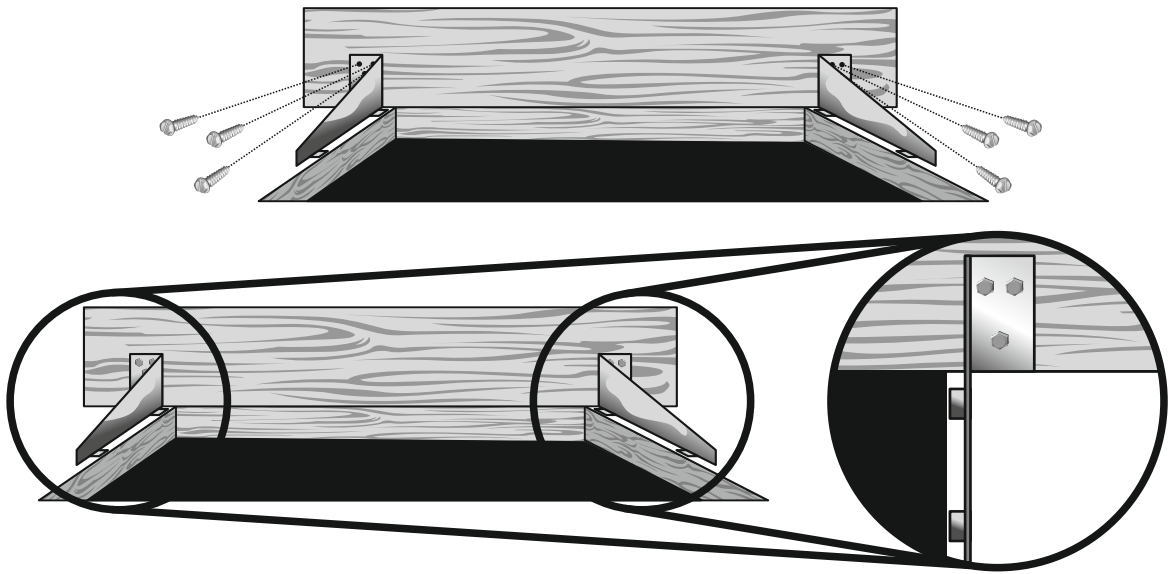
step 6 SECURE THE FAN TO THE CHAIN

Connect the spring snap clamp to the fan housing eye bolt.



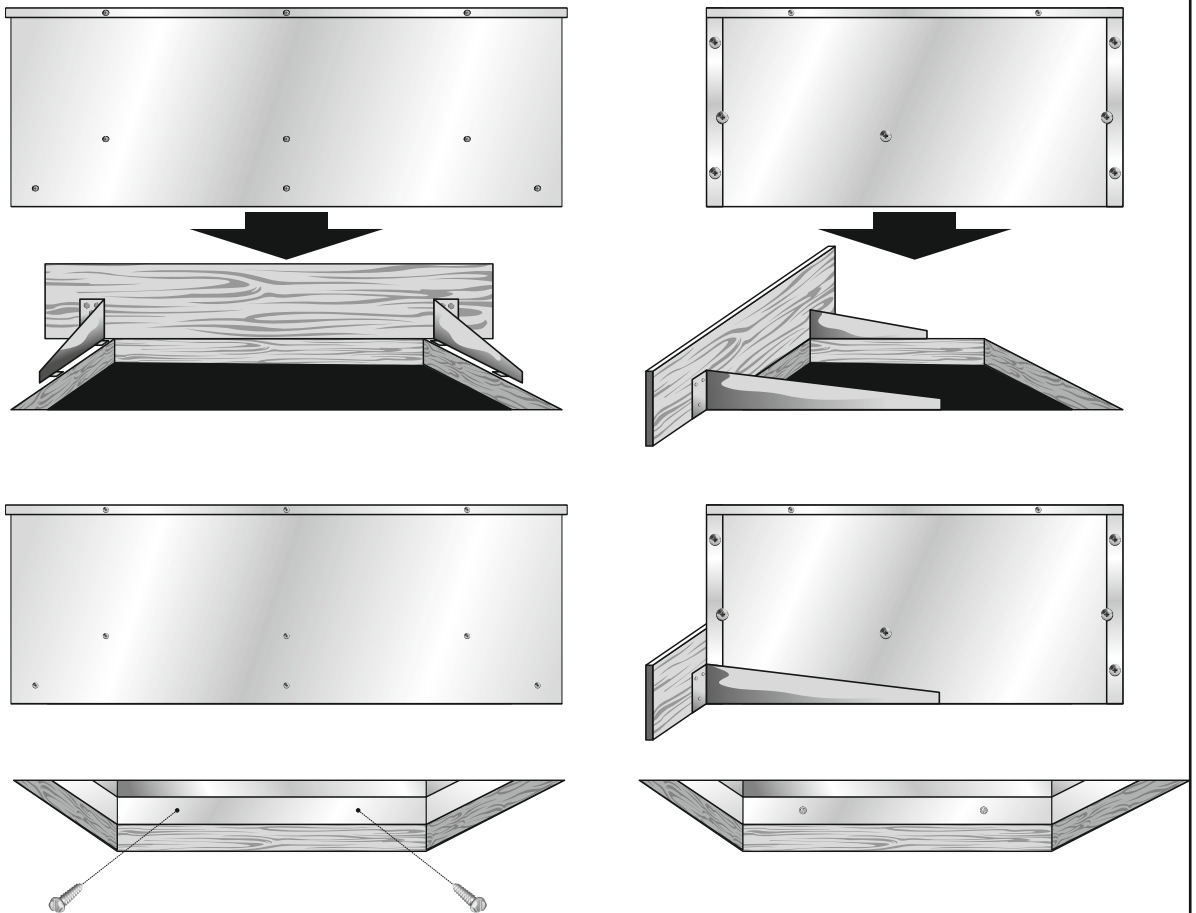
Note: In order to reduce the possibility of vibration make sure the fan housing doesn't touch any part of the attic structure.

step 7 INSTALLING DAMPER BOX



Attach the supplied brackets to the joist as shown in the picture using the 1 1/2" hex screws.

step 8



Place the damper box on top of the brackets as shown in the picture and screw one side of the damper box to the joist. The brackets will support the weight of the damper box.



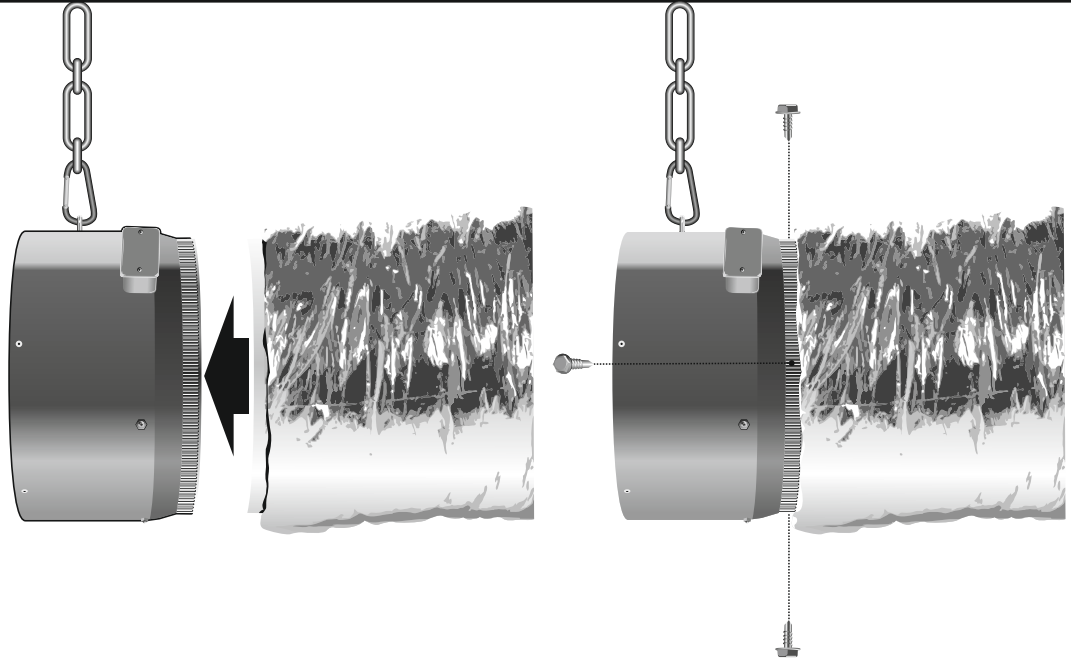
ATTACHING DUCT

IMPORTANT

IMPORTANT DO NOT STRETCH DUCTING TIGHT FROM END TO END, AS THIS COULD CAUSE THE TAPE SECURING THE DUCTING TO THE METAL COLLAR TO PULL AWAY OVER TIME.

HOWEVER, YOU DO WANT TO USE THE FULL LENGTH OF THE DUCTING WHILE LEAVING A LITTLE SLACK TO GET THE QUIETEST OPERATION.

step 9

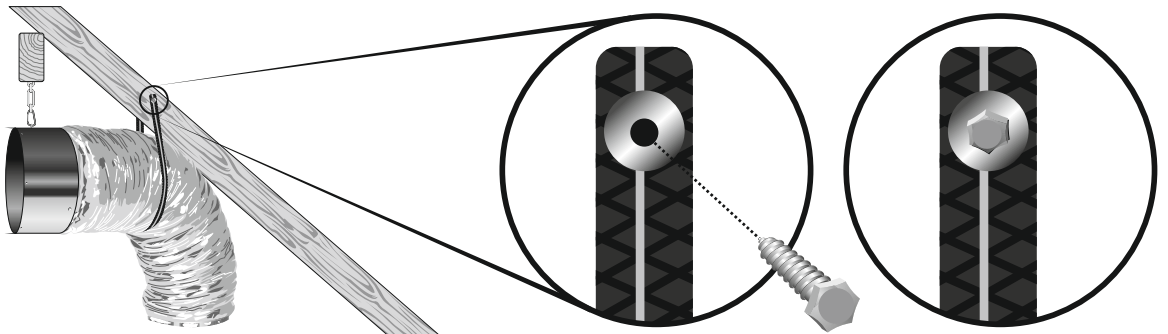


Place one end of the duct collar over the fan shroud and secure it with at least four of the self-taping screws evenly spaced around the shroud.



Note: Attaching the ducting to the fan housing is best done with a second person firmly holding the fan housing in place while the other person installs the screws.

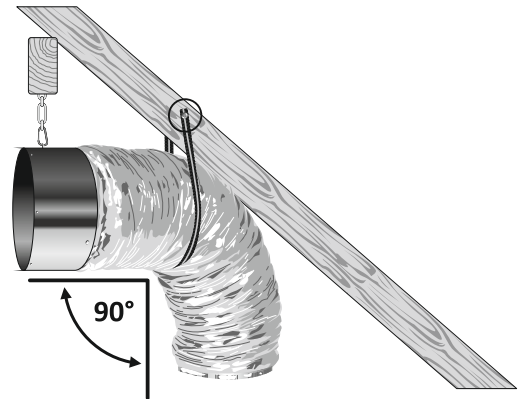
step 10



Using the black nylon strap hang the ducting from rafters with the 1 $\frac{1}{2}$ hex screws and flat washers.

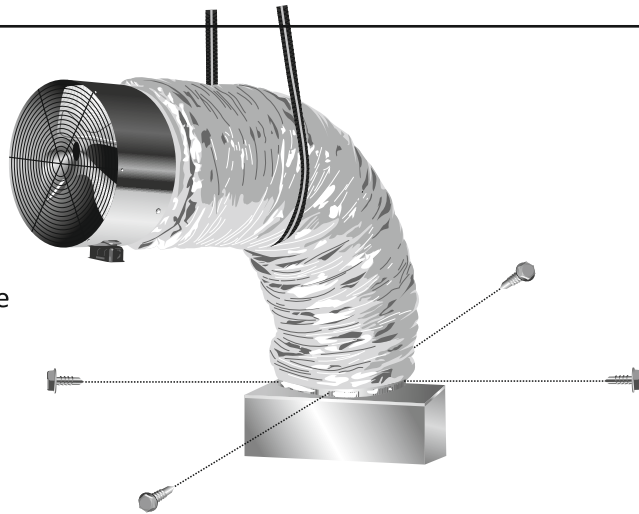
step 11

Note: For a quieter operation be sure to get a 90 degree bend in the ducting.



step 12

Place the duct collar over the damper box and secure with the supplied self-taping screws.



step 13 **INSTALLING GRILLE**

Install the grille over the opening.

